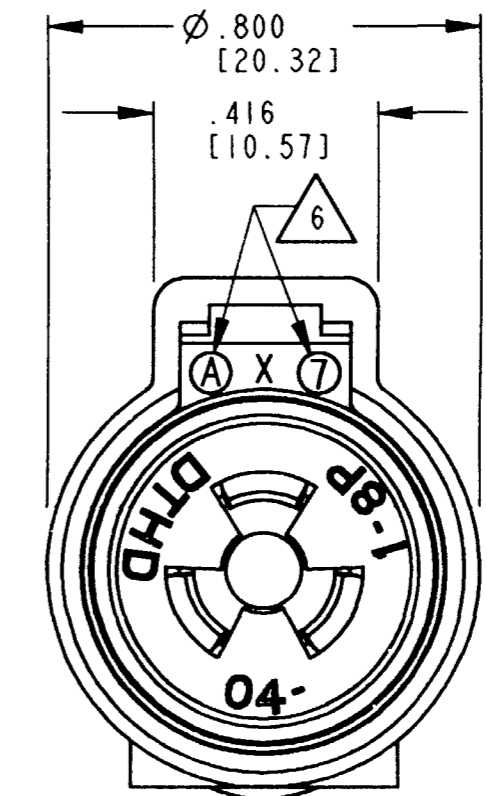
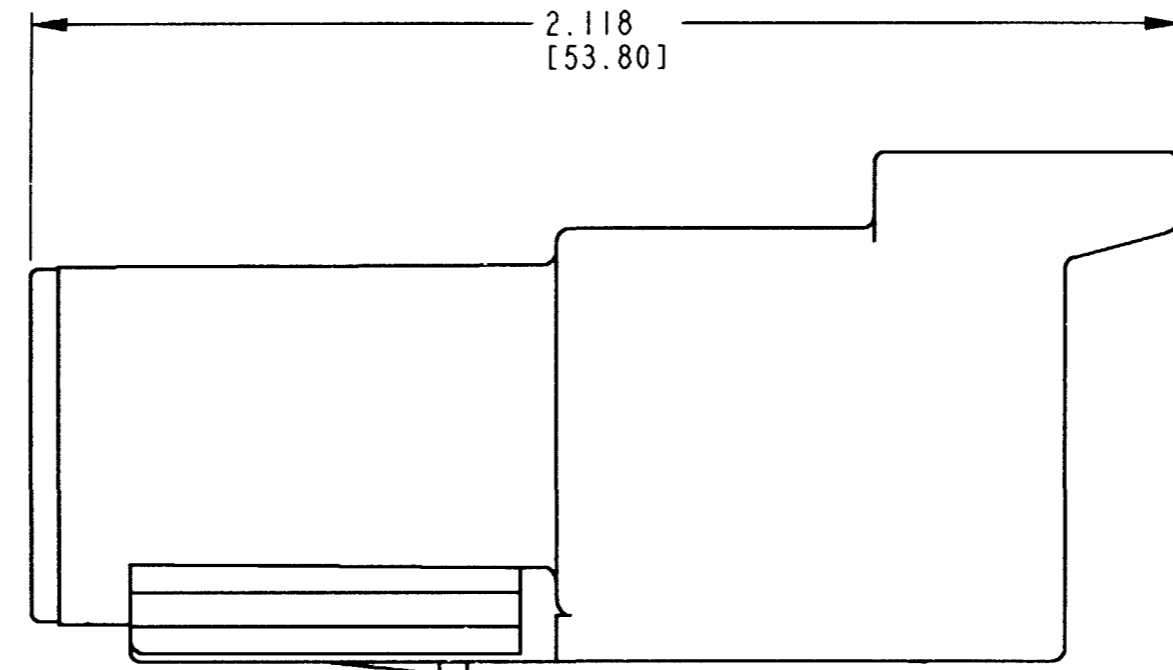
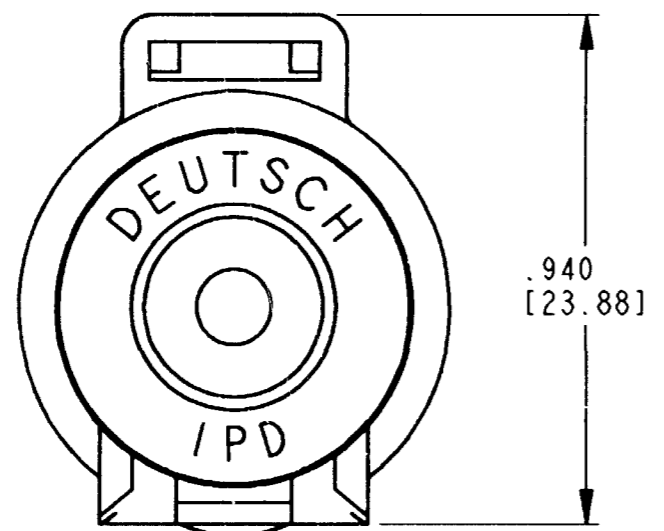


REV  
A DTHD04-18P-E003

REVISIONS			
SYM	DESCRIPTION	DATE	APPROVED
NC	NEW RELEASE PER E.O. A14636	12-06-94	R.D.R.
A	REDRAWN & REVISED PER E.O. P20384	11-25-09	RDR



△ DATE CODE: MONTH IS REPRESENTED BY SEQUENTIAL ALPHA CHARACTERS. EX: A = JANUARY.  
YEAR IS REPRESENTED BY LAST NUMERIC DIGIT. EX: 2 = 2002.

- 5. MATERIAL: HOUSING: PLASTIC, GROMMET: RUBBER.
- 4. THIS RECEPTACLE MATES WITH DTHD06-1-8S-\*\*\*\* PLUG.  
(\*\*\*\* = ALL MODIFICATIONS)
- 3. FOR CONTACT AND WIRE PERFORMANCE AND APPLICATION CHARACTERISTIC  
SEE ENVELOPE DRAWING 0425-015-0000.
- 2. DIMENSION TOLERANCE: ±.025 [.64].
- 1. DIMENSIONS ARE IN INCHES [mm].

NOTES: UNLESS OTHERWISE SPECIFIED.

WIRE INSULATION DIA			
CONTACT SIZE	MINIMUM O.D.	MAXIMUM O.D.	WIRE RANGE [mm <sup>2</sup> ] REF. ONLY △ 4
8	.190 [4.83]	.240 [6.09]	8 - 10 AWG [8.0-5.0]

SIGNATURE & DATE	
DR	J. APOSTOL 24NOV2009
CHK	DMeyx 11/24/09
PE	DMeyx 11/24/09
APPD	R. Reed 11-25-09
SCALE	NONE
WT	10g

RECEPTACLE  
SIZE 8  
-E003 MOD  
COLOR: BLACK  
DTHD SERIES  
ENVELOPE

EP	MATL. CODE
3850 INDUSTRIAL AVE. HEMET, CA 92545 <b>DEUTSCH</b> INDUSTRIAL	
<b>B</b>	<b>DTHD04-18P-E003</b>
DWG SIZE	CODE 11139 SHEET   OF